



CLASSIC TECHNOLOGISTICS AND TRADE PVT. LTD.



**COMPANY
PROFILE**
2023-24



Classic Technologists and Trade Pvt. Ltd., with over 25 years of experience, delivers innovative technology solutions across India. Now headquartered in Delhi, with branches in key cities of Chennai, Bhubaneswar and Bangalore, we excel in diverse sectors including Defence, Disaster Management, Simulation and Advanced Engineering. Our expertise spans in Disaster Management tools, Training Equipment, Special Clothing & Material Handling Equipment. Developed in collaboration with global partners, our offerings are tailored to modernize the Armed Forces and address insurgency challenges. Trust us for cutting-edge, quality solutions.

PRODUCTS & SERVICES

- **SERVICES**
 - **MODERN SAND MODEL ROOM**
 - **CREWS**
 - **ACSFP PROJECT**
 - **AR/VR SOLUTIONS**
 - **VIRTUAL TRAINING**
 - **COMMUNICATION AND ELECTRONIC WARFARE EQUIPMENT SETUP**
 - **AIRCRAFT RECOGNITION TRAINERS**
 - **MULTI-MOTIM**

- **PRODUCTS**
 - **MATERIAL HANDLING EQUIPMENTS**
 - **CARGO PALLETS**
 - **ROUGH TERRAIN FORK LIFT**
 - **MOBILE CONTAINERS**
 - **TRAINING SHEDS**
 - **SPECIAL COMBAT CLOTHING**
 - **ARMOURED PROTECTIVE SOLUTIONS**



MODERNIZATION OF DIGITAL SAND MODEL ROOM





MODERNIZATION OF DIGITAL SAND MODEL ROOM

The traditional **Sand Model Rooms** are limited in depicting terrain and outdated simulation methods. As global armies move towards net-centric operations, IT's potential, with advanced graphics, multimedia, and GIS, can greatly enhance war scenario analysis in the **Digital SMR**. This solution offers dynamic battlefield representation for discussions, wargaming, and tactical situation evaluations, unrestricted by operation area size. Incorporating 3D terrain, analysis tools, and modern devices, the Digital SMR ensures comprehensive visualization, aiding decision-makers in achieving a unified operational view.

Benefits: The Digital Sand Model Room (DSMR) offers superior visualization of battlefield conditions through dynamic 3D imaging. This allows for clearer views of cover, terrain, and real-time conditions. Its modern integration of hardware and software tools serves as an excellent decision support system, facilitating data flow from various sources. It enhances discussion quality by focusing on content over logistics, allows for quicker scenario updates, and aids in efficient solution comparisons. The system's detailed outputs boost overall efficiency.

Usage: The DSMR is essential for training across ranks during:

- Learning discussions
- Briefings
- Critical operation rehearsals
- Tactical assessments
- Surveillance data visualization
- Terrain analysis It offers a technologically advanced virtual reality and GIS-based educational environment, maximizing the benefits of modern teaching aids.

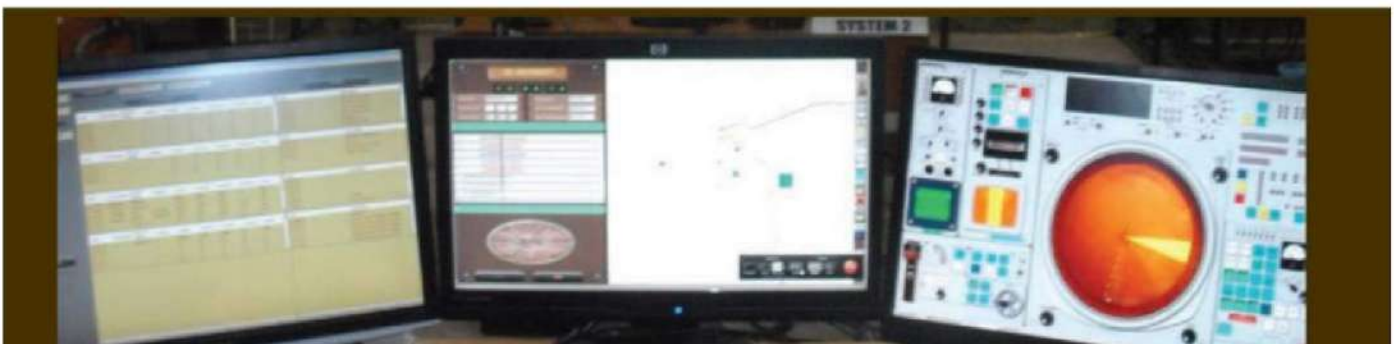
Configuration: The DSMR, designed considering technological progress and current resources, includes a High-End Server, Content Creator, Instructor and Syndicate Systems, Collaborative system, High-End Image Generator, and a high-resolution Projection System. These are integrated on a local network with a library of 3D models, terrains, and the ability to use current satellite imagery and maps.



CLASSROOM ELECTRONIC WARFARE SYSTEMS



Air Defence Dynamic Electronic Warfare Trainer (ADDEWT) is a unique simulator, custom designed to provide long awaited training solution for the three Services in imparting Electronic Warfare training to their radar crew. ADDEWT is a CREWS package developed by CLASSIC TECHNOLOGISTICS & TRADE PVT. LTD. incorporating all features of Surveillance and Track Radars of the Defence Forces. The package simulates extremely realistic Radar Operator Consoles achieved through integration of powerful graphics and latest in simulation tools. The software simulates life like Electronic Counter Measures (ECM) adopted by hostile air forces to defeat the Air Defence Sensors and Weapon Systems just like in typical combat situations; the highlight of the package being its extremely versatile Instructor system which enables simulation of real air combat situations by combining GIS features and realistic Force Structures suitably equipped with realistic active and passive ECM suites, while at the same time allowing flexible mission packaging. The package exploits an open ended architecture whereby it can be easily modified into any other set of radars without re-designing the entire package. It also lends to quick upgrades thereby making it a truly a 'forever current system.

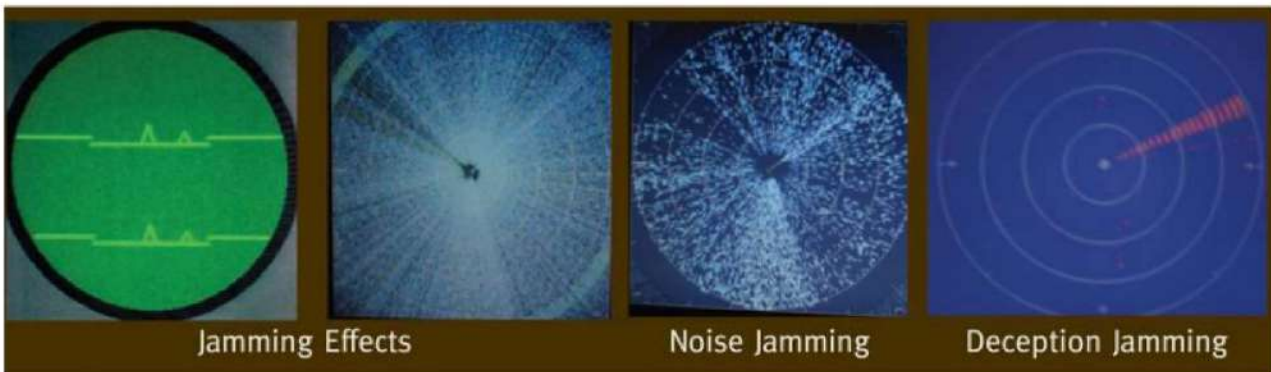




LOW POWER JAMMER



Low Power Jammer Simulator (LPS) developed by Classic Technologicals & Trade Pvt. Ltd. is a state of art active Noise Jammer with very low power application in X and Ku Bands. The LPIS can simulate CW and Pulse Jamming, targeting all radars operating in these bands. In a typical outdoor training environment, LPIS can be deployed up to five km from the target radars enabling simultaneous training of all radar operators in realistic ECM environment. LPJS is mounted on a light mobile vehicle with a motorized turn table arrangement for the antenna pedestal, thereby allowing coverage of 360 degrees in azimuth and adequate coverage in elevation with multiple options for Polarisation. The ECM features provided in LPIS are current and versatile with all types of CW and Pulse Noise Jamming and Deception Jamming such as Angle/ Range/ Velocity Gate Pull Off. The system also allows external and internal triggering to simulate synchronous pulse jamming. LPS is indeed the most cost-effective Active ECM simulator. In addition to ECM training, the system can also be used to impart Radar Technology lessons by manipulating the pulse signals to simulate an artificial target for understanding Radar Parameters.





AIRCRAFT RECOGNITION TRAINER



The ever increasing potential of the Air Power places heavy demands on the Land Forces in terms of capability in surveillance, detection and destruction of hostile aircrafts. Despite all the state of art electronic surveillance means available to the Land Forces, the need to visually detect and report the aircraft movements by individual observes still forms an essential ingredient of Air Defence battle.

CLASSIC TECHNOLOGISTICS & TRADE PVT. LTD. has created a unique ACR Trainer package for training the observers in visual identification and reporting of aircrafts. The package combines powerful graphics and GIS features with customised software to present animated flying aircrafts with audio visual effects, while the location of observer can be selected anywhere in India out of the provided regions. The in-built GIS features give a 3D panoramic view of the terrain in the direction of aircraft. The package includes a large number of friendly and hostile aircrafts with an open ended design which allows addition of more aircrafts in future. The trainer also caters to the need of assessment of proficiency of trainees in aircraft recognition through a digital recorder cum scorer which can display the results instantaneously. The highlight of the system is its ability to train and test large groups of trainees simultaneously. The ACR Trainer is a must have training aid for all combat Forces which may be exposed to hostile air action during combat.



VIRTUAL TRAINER



Our virtual training covers individual shooting exercises to joint force simulations across digital terrains, encompassing:

- Marksmanship
- Leadership and Judgement
- Tactical training
- Joint combined arms strategies
- Indirect and live fire scenarios
- Maintenance
- Operational
- Safety
- Forward air control
- Motion-enabled vessels and vehicles, including convoy defense and light armored vehicles.

We provide situational training equipment, including wireless weapons and mission planning tools for integrated force preparation. These tools allow for dynamic mission planning, adaptable to real-time challenges. The training can be networked for multi-location engagements, ensuring not just adherence to doctrine but also fostering adaptability for battlefield success.

In contemporary warfare, where civilians and allies are closely intertwined, situational awareness is crucial. We enhance cognitive skills to improve decision-making speed, threat discernment, appropriate force use, and overall combat readiness.



ELECTRONIC LAB



- Classic Technologies & Trade Pvt. Ltd is engaged in providing latest electronic training Kits and high-tech Test and Measurement equipment from world leaders in the field including Lab-Volt Canada and other globally renowned OEMs.
- Some of the high end products supplied by us include Active Radar Trainer, Active ECM Trainer, Microwave Benches and assorted configuration of Microwave components to create a vast range of learning facilities related to Radar Technology and Microwave Engineering subjects.
- Our Product range also includes Network Analyser, Spectrum Analyser, State of art Oscilloscopes Antenna Trainer and Basic, Intermediate, and Advance electronics trainer kits, Power Electronics, comprehensive Servo Mechanisms Trainer and Virtual Lab Tools.
- Classic Technologies & Trade Pvt. Ltd is the ideal facilitator of technical training in Military training establishments, which are technology intensive and all civilian Engineering Colleges / Technical Institutes.



FRP MODELS



- The vast range of products developed and marketed by Classic Technologistics & Trade Pvt. Ltd. also includes FRP models which are a truly innovative training facility, particularly suited for Military Technology subjects.
- Classic Technologistics & Trade Pvt. Ltd has provided customized solutions for defence training needs at their training establishments for imparting quality training in gunnery and other mechanical engineering subjects.
- FRP Models created by Classic Technologistics & Trade Pvt. Ltd, are perfect replicas of gun/ weapon mechanisms and other critical and important components / sub-components of Guns / Tanks. These models are made in life size as well as perfect to scale enlarged / diminished models.
- Our FRP Models are transparent and can be used to describe the actual mechanisms and demonstrate their functioning by operating them in the same manner as the originals by virtue of their mathematic precision and fully visible internal components.
- In this field any challenges are a welcome delight for Classic Technologistics & Trade Pvt. Ltd.



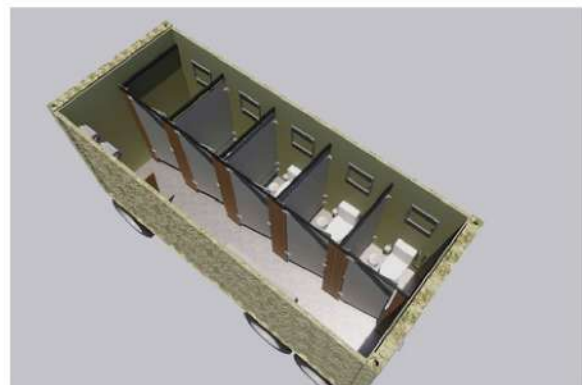


CONTAINERISED MOBILE SOLUTIONS



SHELTERS

TOILETS





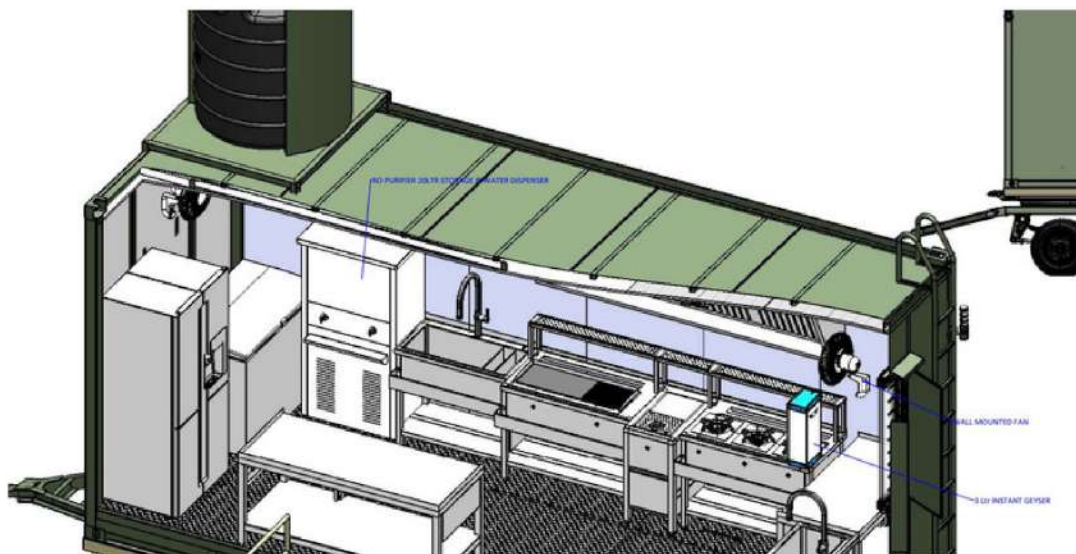
CONTAINERISED MOBILE SOLUTIONS

At Classic Tecnologistics and Trade Pvt. Ltd., we are pioneers in offering robust, efficient, and innovative containerised mobile solutions.

Our portfolio includes:

- **Container Kitchens:** Designed for functionality and efficiency, our container kitchens provide a compact yet comprehensive cooking space, ensuring meals can be prepared under any condition.
- **Container Shelters:** Our shelters are constructed with the utmost attention to durability and comfort, ensuring they stand up to the elements while offering a safe haven.
- **Container Toilets:** Prioritizing hygiene and convenience, our container toilets offer a sanitary solution that can be swiftly set up and maintained.

We're proud to announce that our commitment to excellence has been recognized by esteemed institutions. The Indian Airforce has entrusted Classic Tecnologistics and Trade Pvt. Ltd. with orders valued at approximately \$5 million, underscoring our position as a trusted partner in providing high-quality containerised solutions.



Container Kitchen



ROUGH TERRAIN FORK LIFT



Classic Technologists and Trade Pvt. Ltd. (CTTPL) proudly announces our Memorandum of Understanding (MOU) with BEML, marking a strategic alliance to manufacture state-of-the-art Rough Terrain Forklifts (RTFL) tailored for the Indian Army.

Our RTFL is designed to navigate the most challenging terrains with ease and precision. Engineered with a focus on durability, versatility, and strength, it is ideally suited to the diverse and demanding conditions encountered by the Indian Army.

Classic Technologists and Trade Pvt. Ltd. (CTTPL) boasts expertise in the manufacture of ground and material handling equipment tailored for defense forces. Our product range encompasses skid steer loaders, tow rugs, electric tow tugs, weapon handling trolleys, pallets, and container dollies. Additionally, CTTPL provides comprehensive overhaul services and supplies spare parts for material handling machinery, including skid steer loaders and brands like Kamaz and Tatra. We take pride in our successful overhaul of the skid steer loader for the Indian Army on a no-cost, no-commitment basis.



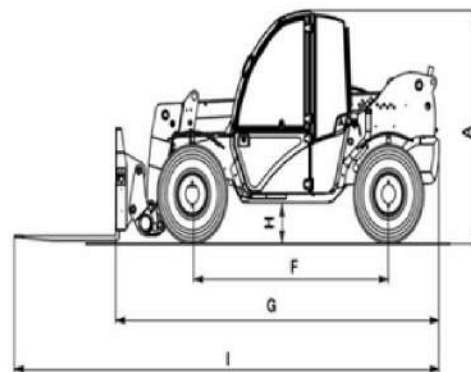
ROUGH TERRAIN FORK LIFT

Technical Specifications :

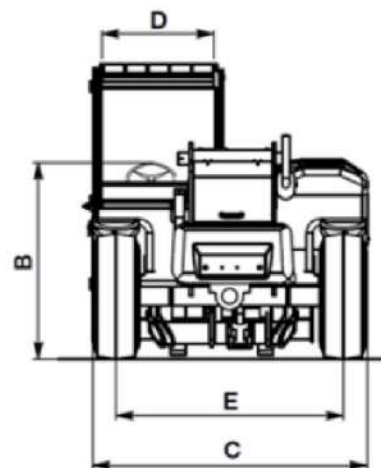
Rough Terrain Fork Lift (RTFLT) or telescopic handler, is a versatile lifting machine used mostly in all type of construction, agriculture, armed forces for the most extensive material handling, which can operate in Plains, Deserts, Mountains, Low and High Altitudes at the most extreme weather conditions.

Brief Technical Specifications of the RTFLT :

SL. NO.	MEASUREMENT	
1	Total weight	5350 kg
2	Lifting Height (max)	5780 mm
3	Forward Reach (max)	3352 mm
4	Reach at Maximum Height	505 mm
A	Height	2000 mm
B	Height at steering wheel	1240 mm
C	Width	2010 mm
D	Inside cab width	750 mm
E	Track	1810 mm
F	Wheelbase	2900 mm
G	Length at Fork holder plate	4020 mm
H	Ground clearance centre	280 mm
I	Overall length	5620 mm

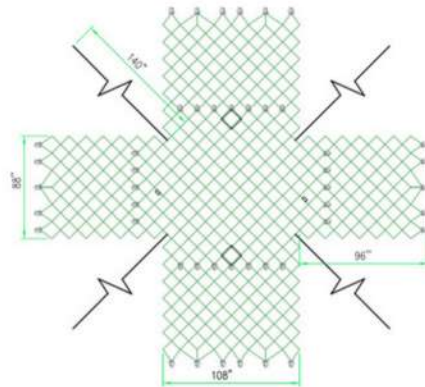


Engine Power	: 75 hp at 2200 rpm
Emission Norms	: CEV Stage IV
Max. torque	: 300 Nm at 1500+/- 100 rpm
Axle	: Steerable and All wheel drive
Temperature.	: Minimum range : (-) 5 deg C to (-) 15 deg C. Maximum range : 40 deg C to 45 deg C
Steering	: Power assisted steering with all wheel steer mechanism.
Tyre	: Earth Moving tyre Size 14-17.5
Hydraulic system	: Piston pump with 71 cc flow
Electrical system	: 12 Volts





CARGO PALLETS



HOOK
Single mesh
Double mesh



Introducing our premier Cargo Pallets, meticulously designed for optimal use within military aircraft cargo compartments. At Classic Tecnologistics and Trade Pvt. Ltd., we understand the rigorous demands of military logistics, and our pallets are crafted to meet and exceed these expectations. We have been awarded \$4.5 Million worth order for our Pallets.

Adhering to the 463L standard, our pallets ensure seamless compatibility with loading and restraint systems, ensuring the safe and secure transport of vital cargo. Every aspect of our pallets, from material choice to design intricacies, has been optimized to withstand the dynamic environments of military operations.

Trust in our Cargo Pallets to provide the reliability, durability, and efficiency that military transport demands. With Classic Tecnologistics and Trade Pvt. Ltd., rest assured that your cargo's foundation is as steadfast as the mission it supports.



ARMoured CLOTHING



Classic Tecnologistics and Trade Pvt. Ltd. (CTTPL) has proudly secured a significant contract from the Indian Army for bulletproof jackets, underscoring our unwavering commitment to the safety of our armed forces. Distinctively, CTTPL is among the few OEMs capable of producing raw materials for armor, ensuring top-tier quality and customization in our products. Our bulletproof jackets epitomize our dedication to excellence and the valor of the Indian Army, solidifying our reputation for delivering unparalleled resilience and protection.

Classic Plate Carrier

Our Plate Carrier provides a range of packages designed for diverse situations, from emergencies to regular duty. These Carriers, adjustable and available in sizes from Medium to XL, adhere to the Modular Lightweight Load-carrying Equipment (MOLLE) standard. This ensures optimal operator configuration and personalization options.





SPECIAL COMBAT CLOTHING



Navigating the harshest terrains and extreme cold demands specialized gear. The Extreme Cold Weather Clothing System (ECWCS) is meticulously crafted to answer this call of duty. Tailored specifically for the brave personnel of the Indian armed forces, this system ensures uncompromised protection in temperatures plummeting to a staggering minus 50 to minus 60 degrees. Primarily employed in the challenging environments of the North West and North East frontiers, the ECWCS is a testament to our dedication to the safety and well-being of our soldiers. Every piece of clothing and accessory within this system is engineered to provide warmth, durability, and comfort, ensuring that our forces remain agile and protected, even in the most unforgiving conditions.

Our product range includes:

- Tactical Vests
- Bulletproof Jackets and Helmets
- Shield Support Systems
- Ballistic Barrier Systems
- Ballistic Briefcases
- Assault and Flak Jackets
- Extreme Cold Weather Clothing System (ECWS)
- Digital Combat Clothing and Uniforms
- Digital Combat Cots
- Waders
- Sleeping Bags
- Tactical Gear



WADER



Chest Wader: For the passionate angler who seeks reliability and robustness, Classic presents the 'Classic Chest Waders.' While many anglers face disappointments with other PVC waders or find Neoprene and breathable waders lacking in durability, Classic offers a steadfast solution. Recognized as the 'Toughest PVC Wader' in its segment, the Classic Chest Wader combines resilience with practicality. Its unmatched toughness is further bolstered with the incorporation of the sturdy 'Classic Boot'. Beyond its peerless strength, this wader is equipped with over 10 top-tier features. These include the distinctive 'Heavy Duty' material—a potent blend of rugged PVC exterior and a soft, flexible polyester interior—double knee-reinforcement, and front D-Rings for easy attachment of essential accessories.

Thigh Waders: Step into challenging terrains with our Thigh Waders, reinforced at the ankles, shins, and toes with a double-layer of resilient PVC. Designed for stability, these waders feature a pronounced heel kicker. While available in a non-studded version, the Tungsten Carbide Studded Sole option provides unparalleled grip on slippery, mossy grounds.



AR/VR BASED SOLUTIONS



At Classic Tecnologistics and Trade Pvt. Ltd., we're at the forefront of immersive AR and VR experiences. A pivotal choice in VR is the display system. While VR headsets like the HP Reverb Omnicept or HTC VIVE Pro Eye offer superior graphics when tethered to a PC, the Meta Quest2 stands out as a versatile Android option, operable both wired and wirelessly, or as a standalone device. Notably, Android-based VR demands meticulous optimization to ensure premium performance.

When selecting a VR headset, considerations span from resolution and field of view (FOV) to tracking systems, development platforms, and added features like eye tracking. The VR industry has evolved leaps and bounds from the VFX1's 263x230 per eye resolution in the 90s to state-of-the-art headsets like the Pimax 12K QLED. A notable mention is the Varjo VR-3 headset, which boasts human-eye resolution, hitting a peak of 71 PPD (Pixels Per Degree).

Our expertise extends to game design, extended reality (XR), 360-degree videos, intricate 3D modeling, gamification of 3D elements, and seamless integration with enterprise solutions. Trust us to craft the future of immersive experiences.



FACTORY INFRASTRUCTURE





FACTORY INFRASTRUCTURE





FACTORY INFRASTRUCTURE



**FACTORY INFRASTRUCTURE**

S.No	Name of the Machinery	UoM	Count
1	Plasma Cutting Machine	Nos.	2
2	Fabricators & Welding Shop (ASC & GAS)	Nos.	2
3	Assembly Lines with RIGS and Fixtures	Nos.	2
4	Quality & Rejectors	Nos.	2
5	Shot Blasting Shop	Nos.	2
6	Stores	Nos.	2
7	Paint Shop	Nos.	2
8	Cranes for job work (Loading & Unloading)	Nos.	2
9	Testing Area Layout	Areas	2
10	Assembly Area Layout	Areas	2



CLASSIC TECNOLOGISTICS AND TRADE PVT. LTD.

DELHI OFFICE: 1B 1, TAJ APARTMENTS SECTOR 12,
RK PURAM-110092

FACTORY: PLOT NO-22, UDYOG VIHAR, GREATER
NOIDA, GB NAGAR, UP-201306

INFO.CTTPL@GMAIL.COM

INFO@CTTPL.IN

+91 99382 54127

+91 7008774851

011 26100360
